



CHEM FLOWTRONICS

**CORROSION
RESISTANT**

**FLUSH
BOTTOM
VALVES**



Features:

Complete Corrosion Resistance

Borosilicate Glass and
TFE Construction

High Heat Resistance

Visibility

Patented Lip Seal Design



CHEM FLOWTRONICS

Chem Flow Corporation

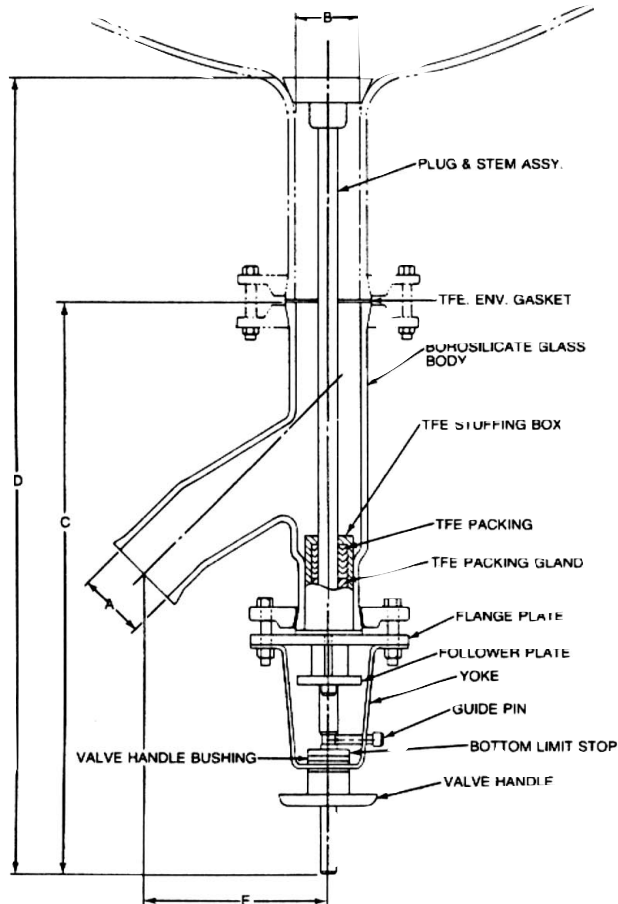
P.O. Box 4635, Wayne NJ 07474-4635

Tel: 800-486-3356 · 973-785-0001 · Fax: 973-785-8051

Email: info@chem-flowtronics.com

Web: www.chem-flowtronics.com

Glass-TFE Flush Bottom Valve



When ordering spare parts, include valve serial no. and size

Valve Size	A	B	C	D	E	Cat. No.
1"	1	1"	8 ³ / ₁₆ "	11"	3 ³ / ₈ "	FBV-25
1 ¹ / ₂ "	1 ¹ / ₂ "	1 ¹ / ₂ "	15 ⁷ / ₁₆ "	22 ¹ / ₄ "	5 ¹ / ₁₆ "	FBV-40
2"	2"	2"	18 ⁷ / ₁₆ "	25 ¹ / ₄ "	5 ⁵ / ₈ "	FBV-50
3"	3"	3"	19 ⁷ / ₁₆ "	26 ¹ / ₄ "	7 ¹ / ₁₆ "	FBV-80

*Standard Valve D Dim. is with vessel having a 6" long bottom outlet. For all other vessels, length of bottom outlet must be verified before manufacture.

Available in 1¹/₂" to 3" sizes, Chem Flowtronics Flush Bottom Drain Valves have a rising stem and are hand-wheel operated. The TFE Plug is specially designed to fit glass and glass lined vessels. The patented lip construction makes it possible for the plug to conform to the uneven contour of these vessels assuring a positive seal. The basic construction is readily adaptable to other types of vessels. Since the valve opens into the vessel it resists bridging. Other materials of construction and specials available upon request.

WARRANTY

Seller warrants its equipment against defects in workmanship and material for a period of 12 months from date of shipment from the factory under normal use and service and otherwise when such equipment is used in accordance with instructions furnished by Seller and for purposes disclosed in writing at the time of purchase, of any. Seller's liability under this warranty shall be limited to the replacement or repair, F.O.B. point of manufacture, of any defective equipment or part which, having been returned to the factory, transportation charges prepaid, has been inspected and determined by Seller to be defective.

THIS WARRANTY IS IN LIEU OF ANY OTHER WARRANTY, EITHER EXPRESSED OR IMPLIED, AS TO DESCRIPTION, QUALITY, MERCHANTABILITY, FITNESS FOR ANY PARTICULAR PURPOSE OR USE, OR ANY OTHER MATTER

Under no circumstances shall Seller be liable to Buyer or any third party for any loss of profits or other direct or indirect costs, expenses, losses or consequential damages arising out of or as a result of any defects in or failure of its products or any part or parts thereof or arising out of or as a result of parts or components incorporated in Seller's equipment but not supplied by the Seller.

DISTRUBUTED BY:



CHEM FLOWTRONICS

Chem Flow Corporation
 P.O. Box 4635, Wayne NJ 07474-4635
 Tel: 800-486-3356 · 973-785-0001 · Fax: 973-785-8051
 Email: info@chem-flowtronics.com
 Web: www.chem-flowtronics.com