



CHEM FLOWTRONICS

CFL Series "Raimous" Lab Mixer



Chem Flowtronics CFL Lab Mixers offer a compact, scaled down light-weight process mixer, for heavy duty applications with a variety of materials.

All wetted components PTFE, with easy removable propeller assemblies available in several blade configurations and designs.

CFL mixers can be used in pressure applications and full vacuum, with our standard single dry running mechanical seal, capable of speeds to 1800 RPM's.

Features:

- Dry running mechanical seal
- All wetted surfaces are PTFE
 - Interchangeable propellers
- Compact design, light-weight
 - Heavy duty applications
 - Air motors, electric motors

- Mounts to:
- Lab Glass joints
 - Sanitary clamp
 - Process glass
 - 150# flange



CHEM FLOWTRONICS

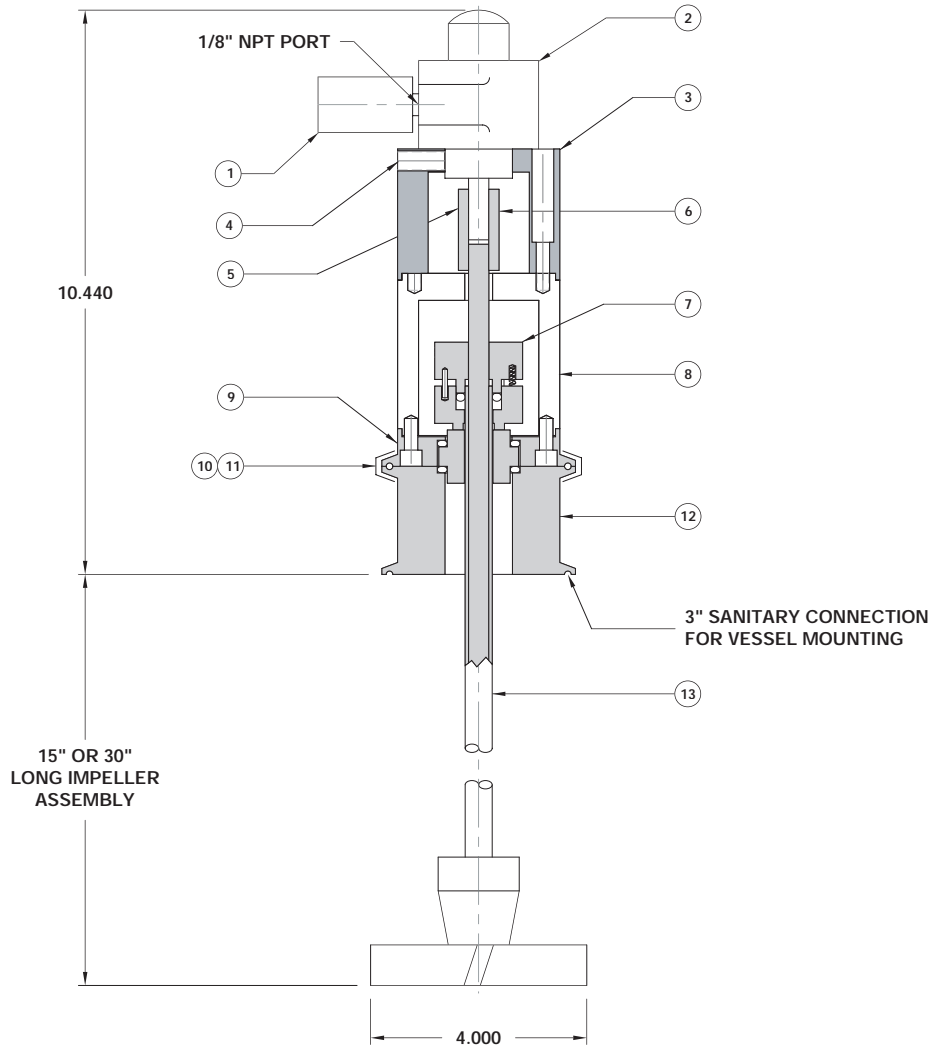
Chem Flow Corporation

P.O. Box 4635, Wayne NJ 07474-4635

Tel: 800-486-3356 · 973-785-0001 · Fax: 973-785-8051

Email: info@chem-flowtronics.com · Web: www.chem-flowtronics.com

"SANITARY VERSION"



BILL OF MATERIAL

ITEM NO	DESCRIPTION	MATERIAL	QTY
1	EXHAUST MUFFLER	.	1
2	AIR MOTOR	.	1
3	MOTOR MOUNTING HOUSING	ALUMINUM	1
4	SET SCREW, 3/8-16	PLATED	2
5	SET SCREW, 1/4-20	PLATED	2
6	MOTOR COUPLING	304SS	1
7	MECHANICAL SEAL	STAINLESS STEEL	1
8	MECHANICAL SEAL HOUSING	ALUMINUM	1
9	UPPER STATIONARY SEAL HOUSING	ALUMINUM	1
10	3" SANITARY CLAMP	304SS	1
11	3" SANITARY GASKET	PTFE	1
12	LOWER STATIONARY TANK MOUNT	25% GF PTFE	1
13	IMPELLER SHAFT ASSEMBLY	PTFE/304SS	1



CHEM FLOWTRONICS

Chem Flow Corporation
P.O. Box 4634, Wayne NJ 07474-4635
Tel: 800-486-3356 · 973-785-0001 · Fax: 973-785-8051
Email: info@chem-flowtronics.com
Web: www.chem-flowtronics.com