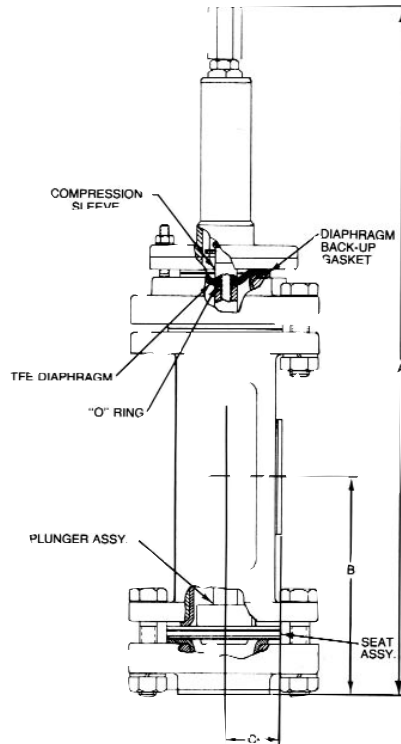




# CHEM FLOWTRONICS

## TEFLON LINED RELIEF VALVES



Size	Catalog No.	Description
1"	1000-T-16	Model 1001 TFF Lined Relief Valve
1½"	1000-T-24	TFF Lined Relief Valve
2"	1000-T-32	TFE Lined Relief Valve
3"	1000-T-48	TFF Lined Relief Valve

When ordering specify set pressure

	1"	1½"	2"	3"
Minimum Set Pressure	5	5	3	3
Maximum Set Pressure	psi 40	35	30	10
Maximum Operating Temperature	-400°F			

Valve Size	A	B	C
1"	18½"	6 <sup>7</sup> / <sub>32</sub> "	1½"
1½"	21¾"	6 <sup>23</sup> / <sub>32</sub> "	1¾"
2"	23½"	7 <sup>19</sup> / <sub>32</sub> "	2¼"
3"	25¾"	8 <sup>23</sup> / <sub>32</sub> "	2 <sup>11</sup> / <sub>16</sub> "

The new Chem Flow TFF lined relief valves were developed for use on systems requiring the corrosion resistance compatibility offered by TFF. The operating principle is the same as used in our regular line of corrosion resistant relief valves made of borosilicate glass. A simple flange connection is provided for safe venting and after every operation, the valve re-sets itself without the labor or material cost of a rupture disk replacement. The Chem Flow patented seat assures a perfect seal against liquids and gasses.

### WARRANTY

Seller warrants its equipment against defects in workmanship and material for a period of 12 months from date of shipment from the factory under normal use and service and otherwise when such equipment is used in accordance with instructions furnished by Seller and for purposes disclosed in writing at the time of purchase, of any. Seller's liability under this warranty shall be limited to the replacement or repair, F.O.B. point of manufacture, of any defective equipment or part which, having been returned to the factory, transportation charges are paid, has been inspected and determined by Seller to be defective.

**THIS WARRANTY IS IN LIEU OF ANY OTHER WARRANTY, EITHER EXPRESSED OR IMPLIED, AS TO DESCRIPTION, QUALITY, MERCHANTABILITY, FITNESS FOR ANY PARTICULAR PURPOSE OR USE, OR ANY OTHER MATTER.**

Under no circumstances shall Seller be liable to Buyer or any third party for any loss or profits or other direct or indirect costs, expenses, losses or consequential damages arising out of or as a result of any defects in or failure of its products or any part or parts thereof or arising out of or as a result of parts or components incorporated in Seller's equipment but not supplied by the Seller.

### Features:

- All Teflon® Wetted Parts
- Resets Automatically After Opening
- All Steel Reinforced Teflon® Components
- 40 Years of Tested Service

TEFLON® ...Dupont Registered Trademark



# CHEM FLOWTRONICS

Chem Flow Corporation  
 P.O. Box 4635, Wayne NJ 07474-4635  
 Tel: 800-486-3356 · 973-785-0001 · Fax: 973-785-8051  
 Email: info@chem-flowtronics.com  
 Web: www.chem-flowtronics.com