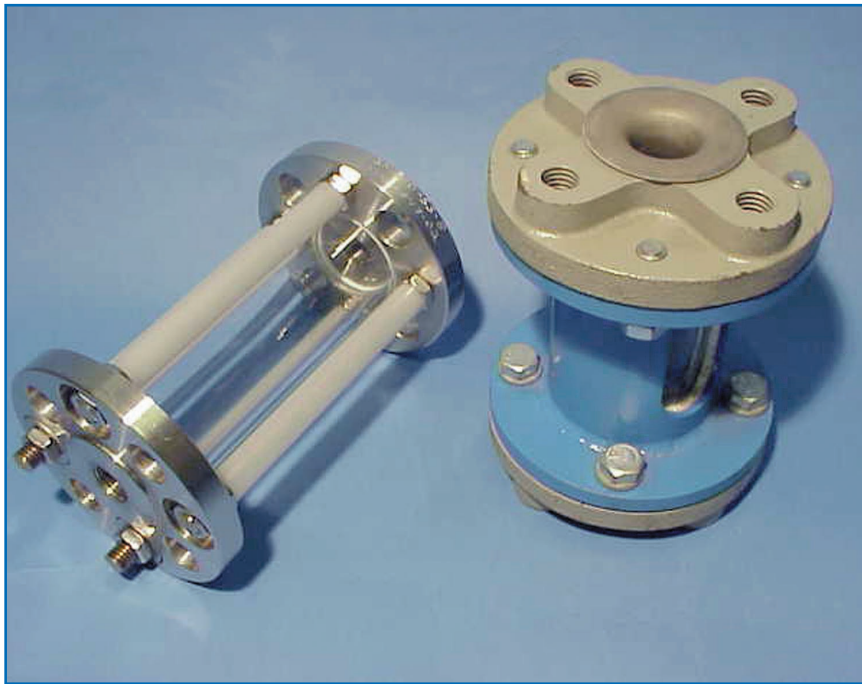




CHEM FLOWTRONICS

Cylindrical “Full View” Sight Flow Indicators



Models 300, 325

Chem Flowtronics Models 300 & 325, flanged 360° Tubular sight flow indicators, with expanded ID borosilicate glass tube. The large ID allows for observations and settlement of process fluids. The standard models are available in 316SS or Cast Iron wetted surfaces. Models come equipped with Drip tubes, PTFE gaskets, and Cad plated hardware.

Model 325 offers all the same features as the 300's series, along with a steel shield, which can be carbon steel, or stainless steel. Two large view ports provide safe visual confirmation of process fluids.

Features:

- Largest Viewing Area in the Industry
- 150# Bolt Circle
- Teflon Gaskets Standard
- Borosilicate Glass Standard
- Temperature rating with Teflon gaskets:400°F

Options Available:

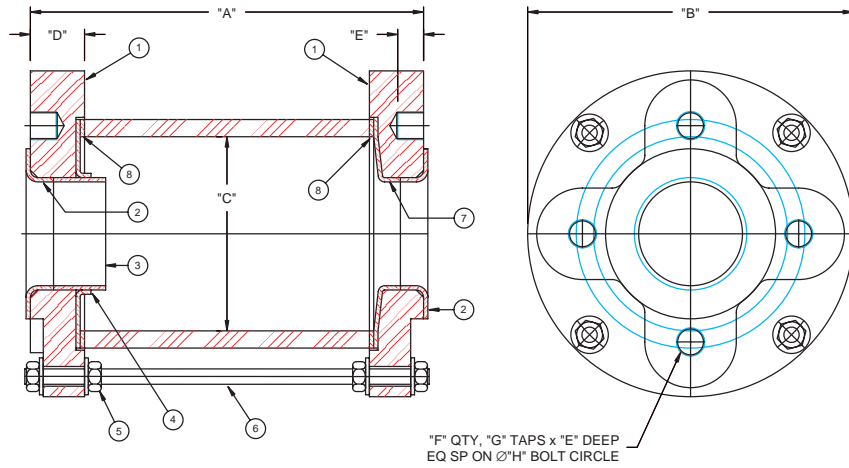
- Lengths to 48" or longer
- Flush mounted flanges
- Female threaded ends
- Sight Tube graduated for volume measurement
- Pipe diameter to 24"
- Acrylic safety shielding
- Polycarbonate Sight Tube
- Sanitary ends (Model 1150)
- Viton or Neoprene gasketing



CHEM FLOWTRONICS

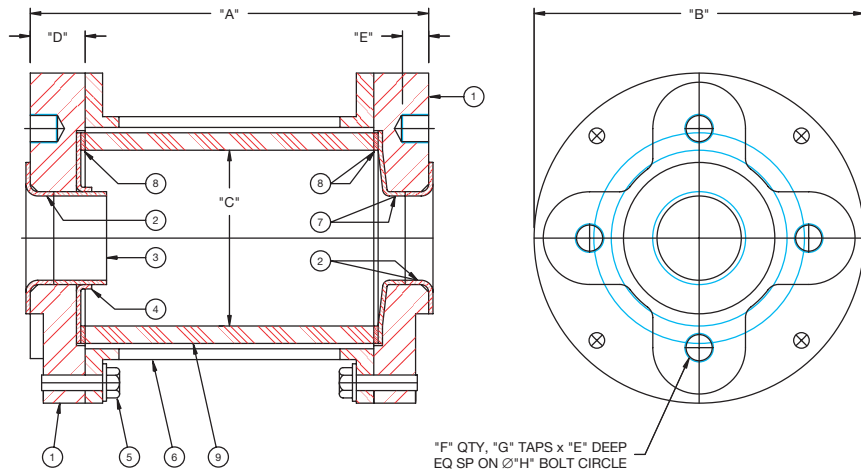
Chem Flow Corporation
P.O. Box 4635, Wayne NJ 07474-4635
Tel: 800-486-3356 · 973-785-0001 · Fax: 973-785-8051
Email: info@chem-flowtronics.com
Web: www.chem-flowtronics.com

Model 300



DIMENSIONS, IN INCHES [mm]									PRESSURE RATING PSI
SIZE	"A"	"B"	"C"	"D"	"E"	"F"	"G"	"H"	
1/2"	6.00 [152.4]	4.25 [108.0]	2.00 [50.8]	0.81 [20.6]	0.63 [15.8]	4	1/2"-13	2.38 [60.3]	100
3/4"	6.00 [152.4]	4.25 [108.0]	2.00 [50.8]	0.81 [20.6]	0.63 [15.8]	4	1/2"-13	2.38 [60.3]	100
1"	6.00 [152.4]	4.25 [108.0]	2.00 [50.8]	0.81 [20.6]	0.63 [15.8]	4	1/2"-13	2.38 [60.3]	100
1 1/2"	6.00 [152.4]	6.00 [152.4]	3.50 [88.9]	1.13 [28.6]	0.75 [19.1]	4	1/2"-13	3.88 [98.4]	100
2"	6.00 [152.4]	6.00 [152.4]	3.50 [88.9]	1.13 [28.6]	0.75 [19.1]	4	5/8"-11	4.75 [120.7]	85
3"	6.00 [152.4]	7.50 [190.5]	4.50 [114.3]	1.13 [28.6]	0.75 [19.1]	4	5/8"-11	6.00 [152.4]	60
4"	6.00 [152.4]	9.00 [228.6]	5.50 [139.7]	1.19 [30.2]	0.75 [19.1]	8	5/8"-11	7.50 [190.5]	50

Model 325



DIMENSIONS, IN INCHES [mm]									PRESSURE RATING PSI
SIZE	"A"	"B"	"C"	"D"	"E"	"F"	"G"	"H"	
1/2"	6.00 [152.4]	4.25 [108.0]	2.00 [50.8]	0.81 [20.6]	0.63 [15.8]	4	1/2"-13	2.38 [60.3]	100
3/4"	6.00 [152.4]	4.25 [108.0]	2.00 [50.8]	0.81 [20.6]	0.63 [15.8]	4	1/2"-13	2.38 [60.3]	100
1"	6.00 [152.4]	4.25 [108.0]	2.00 [50.8]	0.81 [20.6]	0.63 [15.8]	4	1/2"-13	2.38 [60.3]	100
1 1/2"	6.00 [152.4]	6.00 [152.4]	3.50 [88.9]	1.13 [28.6]	0.75 [19.1]	4	1/2"-13	3.88 [98.4]	100
2"	6.00 [152.4]	6.00 [152.4]	3.50 [88.9]	1.13 [28.6]	0.75 [19.1]	4	5/8"-11	4.75 [120.7]	85
3"	6.00 [152.4]	7.50 [190.5]	4.50 [114.3]	1.13 [28.6]	0.75 [19.1]	4	5/8"-11	6.00 [152.4]	60
4"	6.00 [152.4]	9.00 [228.6]	5.50 [139.7]	1.19 [30.2]	0.75 [19.1]	8	5/8"-11	7.50 [190.5]	50

Chem Flow Corporation
 P.O. Box 4635, Wayne NJ 07474-4635
 Tel: 800-486-3356 · 973-785-0001 · Fax: 973-785-8051
 Email: info@chem-flowtronics.com
 Web: www.chem-flowtronics.com